

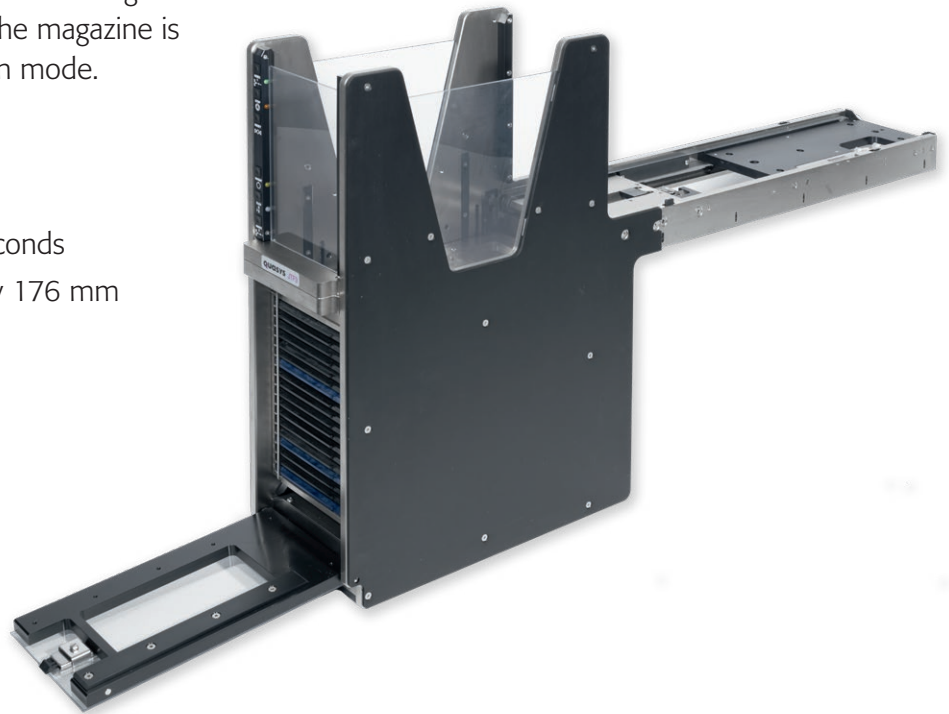
# JTF3 Plus

JEDEC Tray Feeder

## RANDOM ACCESS TO MULTIPLE PART NUMBERS IN JEDEC TRAY

The **QUASYS JTF3 PLUS** is the flexible feeding solution for JEDEC Trays. Any slot in the magazine is accessible using serial communication mode.

- ◆ Multi components
- ◆ Low cost of ownership
- ◆ Tray exchange in about 3.5–15 seconds
- ◆ Compact Footprint – occupies only 176 mm of feeder rail space
- ◆ Microprocessor controlled



### EASILY INTEGRATE WITH YOUR MACHINE:

SMT Assembly Equipment  
Singulation Equipment  
Device Programmers  
Test Handlers  
Die Bonders  
Inspection Equipment  
Custom Automation

### PLUS FEATURES

- ◆ Highest feeding stability
- ◆ Closed loop control elevator/conveyor drive using encoded maxon motor
- ◆ Added interfaces RS485, Ethernet UDP and TCP/IP, USB<sup>Virtual COM</sup>
- ◆ Upgrade kits available for existing Feeders
- ◆ Applicable to all **Quasys** Feeders
- ◆ No potentiometers
- ◆ Reverse compatible
- ◆ Footprint remains
- ◆ Swiss made

# JTF3 Plus

## JEDEC Tray Feeder

### TECHNICAL SPECIFICATION

#### Capacity

Magazines with 18 thin or 14 thick JEDEC trays, or custom pitch (standards 95-1 & IEC 60286-5), max. load in magazine 6 kg, optional 14 kg, max. tray weight 800 g

#### Speed

Tray exchange 3.5 to 15 sec, depending on applications

#### Position Accuracy

Edge of tray repeatable to 0.05 mm

#### Flexibility

Magazines for thin and thick JEDEC trays available fast and slow conveyor speed microprocessor controlled different conveyor lengths available

#### Standards Compliance

CE

#### Electrical

24 VDC  $\pm$  10 %  
3 amps (peak), 1.0 [A] continuous

#### Communication Signals

RS232, RS485, Ethernet UDP and TCP/IP, Vcom

#### Pneumatic

5–6 Bar, 28.3 Liters/Minute (1 SCFM)

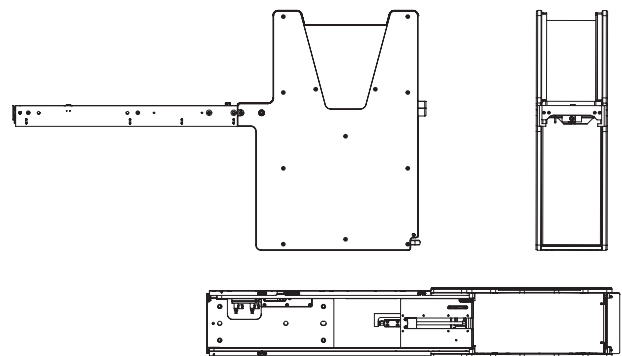
#### Weight

25 kg

#### Environment

10–35°C / 10–90 % R.H.

Feeder Width: 176 mm  
Feeder Height: 588 mm  
Feeder Length: 1015 mm



#### QUASYS AG

Rothusstrasse 5a  
CH-6331 Hünenberg  
Switzerland  
sales@quasys.ch

#### ASIA

Auleetech Singapore  
Oliver Ackermann  
+65 6247 5157  
oliver.ackermann@  
auleetech.com

#### USA EAST

trayfeeders.com  
Concord NH  
Neil Burr  
+1 603 227 5240  
info@trayfeeders.com

#### USA WEST

Bentleadtools  
San Jose CA  
Bob Santora  
+1 (408) 592 5259  
bob@bentleadtools.com