

WPS4 PLUS

4" Waffle Pack Feeder

LOAD OR UNLOAD STACKS FULL OF PRODUCT WITHOUT INTERRUPTING PRODUCTION.

This **QUASYS PRODUCT** is an automation solution for feeding 4" Waffle Packs. Load and unload stacks of up to 35 waffle packs without interrupting the assembly equipment.

- ◆ Dramatically increase throughput by automatically delivering trays non-stop
- ◆ Tray exchange in less than 5 seconds
- ◆ Low cost of ownership
- ◆ Compact Footprint
- ◆ Microprocessor controlled
- ◆ CE approved



Easily Integrates With:

SMT Assembly Equipment
Singulation Equipment
Device Programmers
Test Handlers
Die Bonders
Inspection Equipment
Custom Automation

KEY FEATURES:

- ◆ Highest feeding stability
- ◆ Closed loop control elevator/conveyor drive using
- ◆ Encoded Maxon motor
- ◆ Added interfaces RS485, Ethernet UDP and TCP/IP, USB Virtual COM
- ◆ Upgrade kits available for existing Feeders
- ◆ Applicable to all Quasys Feeders
- ◆ No potentiometers
- ◆ Reverse compatible
- ◆ Footprint remains
- ◆ Swiss Made

WPS4 PLUS

4" Waffle Pack Feeder

TECHNICAL SPECIFICATION

Capacity

35 x 4" Waffle Packs

Load

Max stack weight of 9kg (20lbs)

Max tray weight of 600g (1.3lbs)

Tray Cycle Time

Ca. 5 to 7 sec, depending on applications

Position Accuracy

Edge of tray repeatable to 0.05 mm

Flexibility

Microprocessor controlled, adjustable conveyor speed, standard and custom conveyor lengths

Electrical

24 VDC \pm 10 %

2 amps (peak), 1.0 [A] continuous

Communication Signals

dIO, RS232, RS485, Ethernet UDP and TCP/IP, Vcom, SMEMA

Compressed Air

4.1-5.5 Bar (60-80 psi)

Feeder Weight

17 kg (38 lbs)

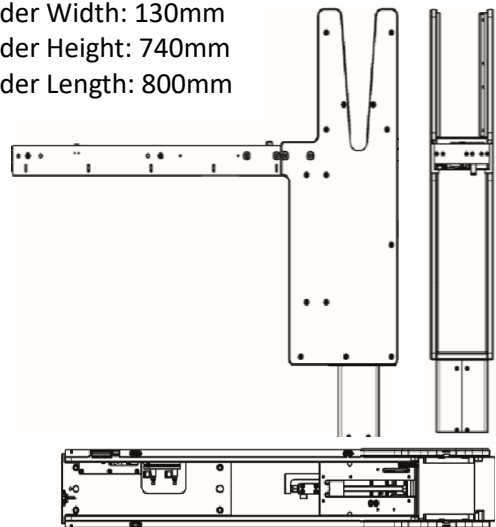
Environment

10–35°C / 10–90 % R.H.

Standards Compliance

SEMI S2 & S8, NFPA 70 & 79, CE

Feeder Width: 130mm
Feeder Height: 740mm
Feeder Length: 800mm



QUASYS AG

Rothusstrasse 5a
CH-6331 Hünenberg
Switzerland
sales@quasys.ch

ASIA

Auleetech Singapore
Oliver Ackermann
+65 6247 5157
oliver.ackermann@auleetech.com

North & South America

Powatec USA, Inc.
Erik Mori
e.mori@powatec.com
trayfeeders.com