

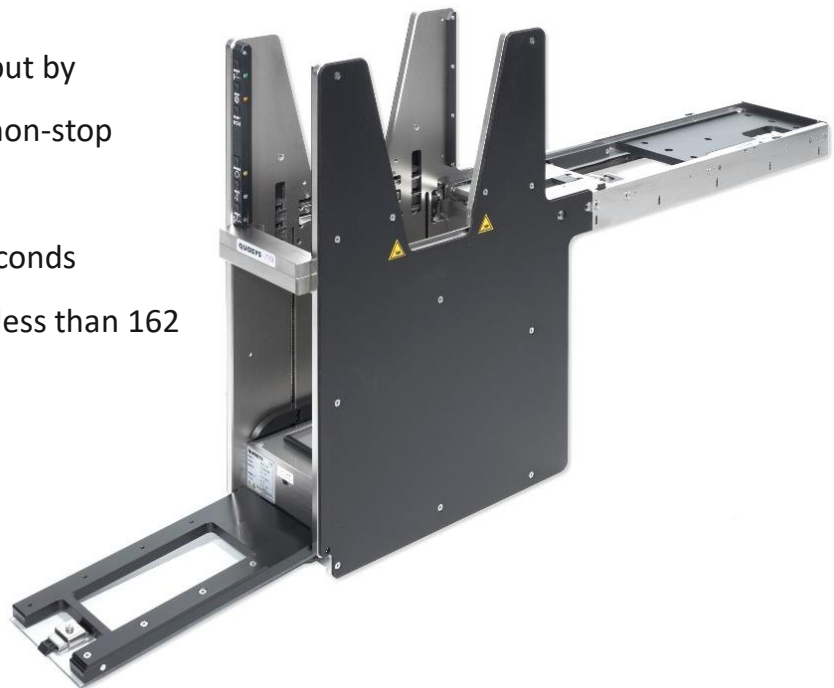
JTF2 PLUS

TrayStak® Feeder

LOAD OR UNLOAD STACKS FULL OF PRODUCT WITHOUT INTERRUPTING PRODUCTION

The **QUASYS JTF2 PLUS** is an automation solution for JEDEC Tray feeding. Load and unload stacks of up to 20 thick or 30 thin JEDEC standard trays without interrupting the assembly equipment.

- ✦ Dramatically increase throughput by automatically delivering trays non-stop
- ✦ Low cost of ownership
- ✦ Tray exchange in less than 6 seconds
- ✦ Compact Footprint – occupies less than 162 mm of feeder rail space
- ✦ Microprocessor controlled
- ✦ CE approved
- ✦ Large customer base



Easily Integrates With:

SMT Assembly Equipment
Singulation Equipment
Device Programmers
Test Handlers
Die Bonders
Inspection Equipment
Custom Automation

KEY FEATURES:

- ✦ Highest feeding stability
- ✦ Closed loop control elevator/conveyor drive using
- ✦ Encoded Maxon motor
- ✦ Added interfaces RS485, Ethernet UDP and TCP/IP, USB Virtual COM
- ✦ Upgrade kits available for existing Feeders
- ✦ Applicable to all Quasys Feeders
- ✦ No potentiometers
- ✦ Reverse compatible
- ✦ Footprint remains
- ✦ Swiss Made

JTF2 PLUS

TrayStak® Feeder

TECHNICAL SPECIFICATION

Capacity

20 thick or 30 thin JEDEC trays
(standards 95-1 & IEC 60286-5)

Load

Max stack weight of 18kg (39lbs)
Max tray weight of 600g (1.3lbs)

Tray Cycle Time

Ca. 5.5 to 7 sec, depending on applications

Position Accuracy

Edge of tray repeatable to 0.05 mm

Flexibility

Microprocessor controlled, adjustable conveyor speed, selectable thick/thin tray sensor, tray changeover

Electrical

24 VDC \pm 10 %, 2 amps (peak), 1.0 [A] continuous

Communication Signals

dIO, RS232, RS485, Ethernet UDP and TCP/IP, Vcom, SMEMA

Compressed Air

5–6 Bar (72–87 psi)

Feeder Weight

22.7 kg (50 lbs)

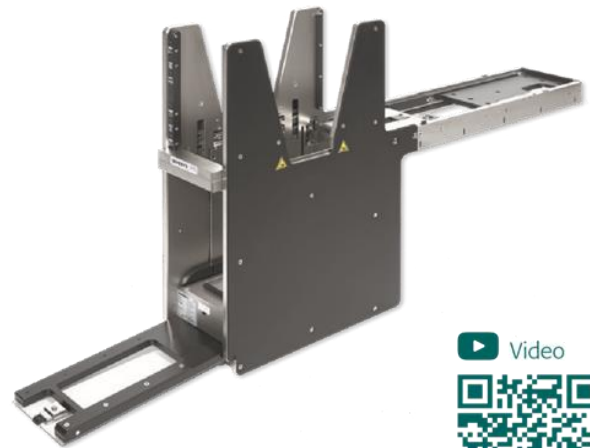
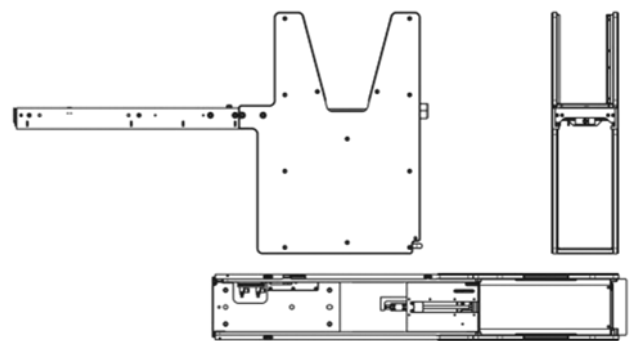
Environment

10–35°C / 10–90 % R.H.

Standards Compliance

SEMI S2 & S8, NFPA 70 & 79, CE

Feeder Width: 162 mm
Feeder Height: 588 mm
Feeder Length: 1015 mm



QUASYS AG

Rothusstrasse 5a
CH-6331 Hünenberg
Switzerland
sales@quasys.ch

ASIA

Auleetech Singapore
Oliver Ackermann
+65 6247 5157
oliver.ackermann@auleetech.com

North & South America

Powatec USA, Inc.
Erik Mori
e.mori@powatec.com
trayfeeders.com